



Piston Ring Set HINOMOTO E23 92mm.

code : 8-26-100-01



Piston Ring Set HINOMOTO E25 95mm.

code : 8-26-100-02



Main Bering HINOMOTO

size : STD,010,020,030,040,050

code : 8-07-100-01



Con Rod Bearing HINOMOTO

size : STD,010,020,030,040,050

code : 8-07-101-01



Thrust Washer HINOMOTO E16-E18-E23-E25

code : 8-26-103-01



Valve Guide HINOMOTO E16-E18-E23-E25

code : 7-15-117-01



Inlet - Exhaust Valve HINOMOTO E16-E18-E23-E25

code : 8-24-101-01



Con Rod Bush HINOMOTO E16-E18-E23-E25

ID 28 * OD 31 * H 36 mm.

code : 8-14-100-01



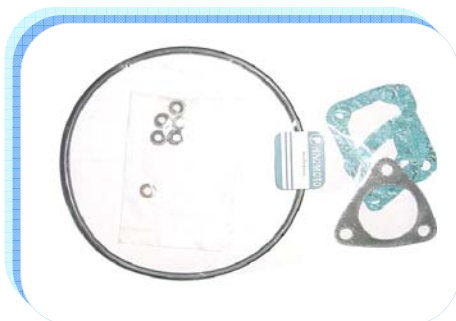
Valve Stem Seal HINOMOTO

code : 7-21-106-01



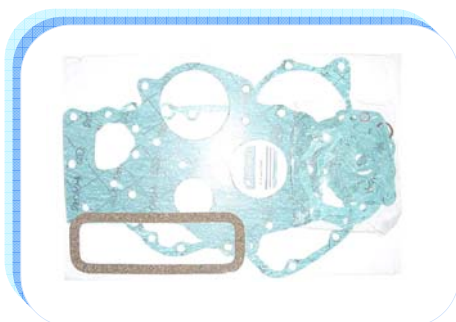
Valve Cover Seal HINOMOTO

code : 7-21-105-02



Top Gasket Set HINOMOTO

code : 7-15-103-02



Bottom Gasket Set HINOMOTO

code : 7-15-104-02



Cover Seal HINOMOTO

50-72-9

code : 7-08-203-02



Housing Seal HINOMOTO

90-115-13

code : 7-08-202-03



Rear Axle Seal E16-E18

44-85/93-15

code : 7-08-105-02



Rear Axle Seal E23-E25

50-90/96-13/21

code : 7-08-105-05



Thrust Bearing HINOMOTO
ID 26 * OD 43.5 * H 11 mm.
code : 7-23-101-01



Thrust Seal HINOMOTO
27-48-11
code : 7-08-201-03



Front Axle Seal E23 small HINOMOTO
35-52-9
code : 7-08-105-13



Front Axle Seal E25 big HINOMOTO
40-62-12
code : 7-08-105-12



Water Pump Seal HINOMOTO

code : 8-08-100-01



Hyd. O'Ring HINOMOTO

code : 7-21-102-03



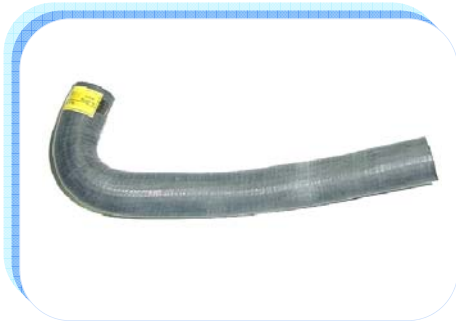
Hyd. Kit + Plastic HINOMOTO

code : 7-18-101-02



Bonnet Pull Gum HINOMOTO

code : 7-21-107-01



Top Hose HINOMOTO

code : 7-12-101-02



Bottom Hose HINOMOTO

code : 7-12-101-01



Meter Cable w/ spring HINOMOTO

code : 7-25-101-01

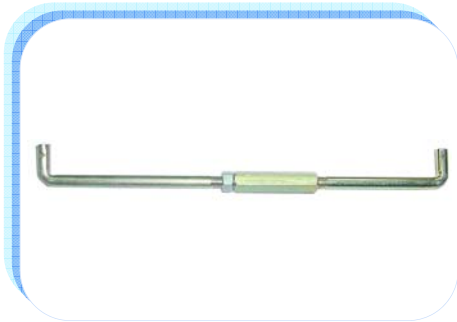
long 75.00 cms.



Meter Cable w/o spring HINOMOTO

long 74.00 cms.

code : 7-25-102-01



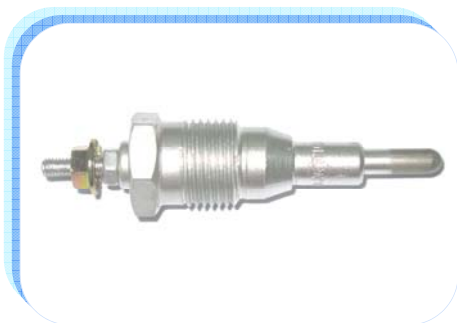
Rod Lift Brake E16-E18

code : 7-01-102-01



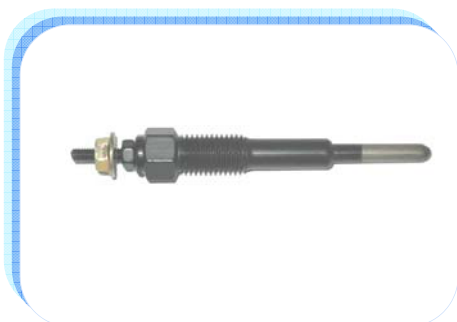
Clutch Shaft Repair Set HINOMOTO 15T

code : 7-07-101-01



Glow Plug PN 80 HINOMOTO E23 circular shaft

code : 5-26-107-05



Glow Plug PI 42 HINOMOTO angle shaft

code : 5-26-107-01



Drag Rod End Set HINOMOTO-ISEKI L - R

code : 7-23-113-02 L

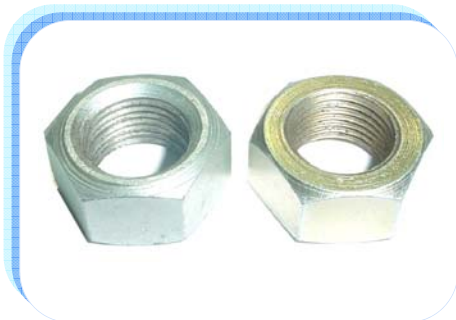
code : 7-23-113-01 R



Drag Link HINOMOTO-ISEKI L - R

code : 7-15-122-03 L

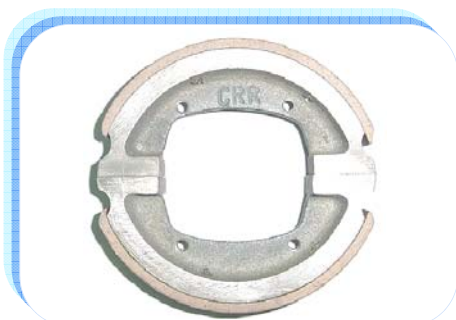
code : 7-15-122-04 R



Bolt HINOMOTO L - R

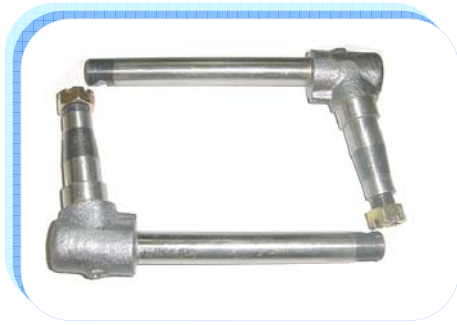
code : 7-26-113-02 L

code : 7-26-113-01 R



Assy Brake Shoe HINIMOTO

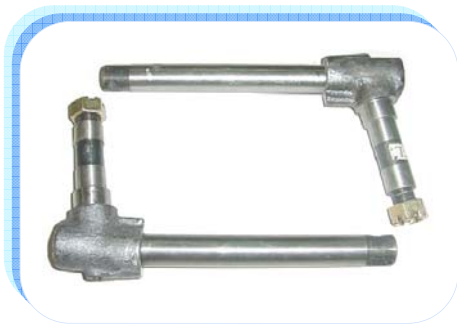
code : 7-01-100-01



Knuckle Spindle Diff. Bearing HINOMOTO

code : 7-06-101-07 L

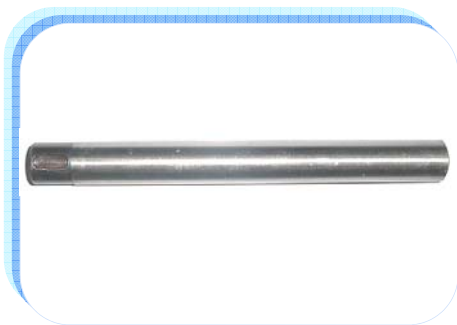
code : 7-06-101-08 R



Knuckle Spindle Coupling Bearing HINOMOTO

code : 7-06-101-06 L

code : 7-06-101-05 R



Spindle Shaft HINOMOTO

code : 7-06-103-01



Axle Pin Shaft HINOMOTO

code : 7-25-104-01



Assy Seat HINOMOTO

code : 7-14-108-02



Front Wheel Hub HINOMOTO Diff. Bearing

code : 7-09-101-02 Coupling Bearing

code : 7-09-101-03 Diff. Bearing



Rear Axle Shaft HINOMOTO E16 - E18

20Tx13T

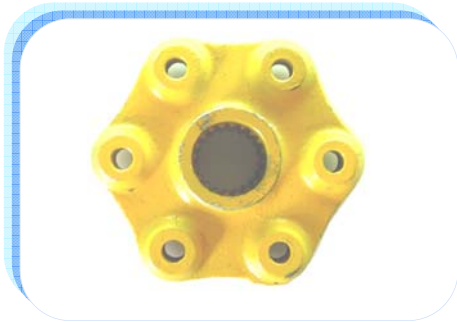
code : 7-18-100-02



Rear Axle Shaft HINOMOTO E23 - E25

22Tx15T

code : 7-18-100-01



Rear Wheel Hub HINOMOTO E16 - E18

20T

code : 7-09-101-13



Rear Wheel Hub HINOMOTO E23 - E 25

22T

code : 7-09-101-10



Rear Wheel Hub E28 Low

code : 7-09-101-12



Rear Wheel Hub E28 High

code : 7-09-101-11